

# Airpura AIR PURIFIERS

# I-600

## Healthcare

## *Isolation, Particle Abatement UV option for Antigen and Pathogen Sterilization*

The Airpura I-600  
Specially designed for use in healthcare  
clinics and institutions.

Large HEPA filter  
Traps airborne droplets.

Optional UV germicidal lamp  
Sterilizes antigens and pathogens.

Optional HI-C carbon weave  
Adsorbs odors and airborne chemicals and gases.

Effective for up to 2000 square feet  
Recycles the air approximately every 30 minutes.

Optional negative air accessories available  
Enables you to quickly create an isolation area.

Solid easy to move, lockable casters  
Weighs less than 30 lbs. Moves easily and casters can be  
locked in place.

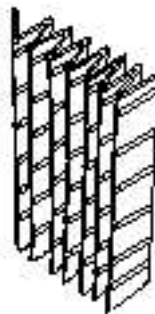


### ***The Airpura I-600***

Available in  
White / Black / Cream  
The Airpura Limited Warranty  
2 years parts 5 years labor

#### **High Quality HEPA Filter**

- Over 100 square feet of filtration surface with 3" deep folds.
- The Hepa is warm rolled to avoid cracking at the folds and avoid leakage.
- Spacers keep the folds open and make sure that all the surface area is filtering.



#### **Filter Life**

**Hepa filters** typically last 5 years in regular use.  
**Pre-filters** can be vacuumed from the exterior of the unit and should be changed preferably every 3 months depending on use.  
**HI-C carbon weave** (optional) should be changed every 4-6 months depending on use.

***Safe effective air filtration with negative air option***

# I-600

## Healthcare

### Technical Specifications

#### Particle removal

Over 100 sq ft true HEPA  
(Measured only 1 side)  
10 pleats per inch  
Pleats warm rolled  
with separators

#### Odor and chemical Suppression (Optional)

306 sq" HI-C carbon weave

#### Air Flow 560 cfm

More cfm than any  
other home unit available

#### Pre-filter

570 sq in x 1in deep

#### Housing

Powder coat steel

#### Size

23" x 15"

#### Weight

35 lbs total

#### Voltage Options

115 or 220 volts

#### Watts

120 on high 40 on low

#### Sound Level

28.1 db on low (at 6 feet)  
62.3 db on high (560 cfm)  
(Room level 25.1 db)

#### ETL Certified

Conforms to  
CSA C22.2 no 113  
ANSI / UL 507

Your **Airpura** Dealer

### Unique Features

- Pressure seal Airpura's unique pressure seal on the filter chamber ensures that all of the dirty air passes through the filters. Other systems allow leakage and do not achieve the 99.97% HEPA filtration rating
- Felt gaskets seal the filter chamber. Maximize filtration with no rubber off-gassing found with other filters
- All metal housing ensures no plastic vapors are emitted
- Backward curved motorized impeller eliminates the vibrations and noise associated with older motor and shaft set ups
- Variable speed motor lets you choose your ideal level of filtration
- Motor out of the air flow. Most air purifiers blow the clean air over the motor and pick up fresh impurities
- Unimpeded airflow simple and direct internal airflow avoids the air turbulence, inefficiency and noise associated with more convoluted systems
- Separate electrical parts chamber prevents any off gassing from capacitors, condensers or switches.
- Perforated steel exterior offers both a softer appearance and 360 degree air intake and distribution.
- Separately changeable filters The Hepa and carbon filters can be changed separately so you only change them when appropriate and save operating costs

### Filtration System

#### Large 3" deep HEPA filter

Traps 99.97% of particles  
as small as 0.3 microns

#### Cleanable prefilter

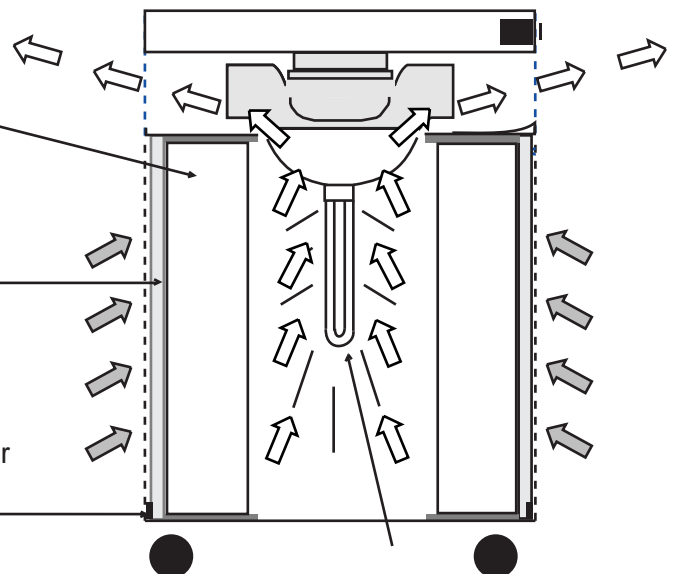
Vacuum through grill and  
change every 12 months

#### Unique Pressure seals

ensure integrity of filter chamber

#### Felt gaskets

no rubber off gassing



Optional UV Lamp

#### True HEPA Filters

Developed by the atomic energy  
commission to filter radio active  
particles as small as 0.3 microns

#### Hi-C Carbon weave

Also known as paratrooper carbon, it  
is used to protect soldiers from  
poisonous gases and chemical warfare

**Large scale HEPA filtration protects against airborne particles**